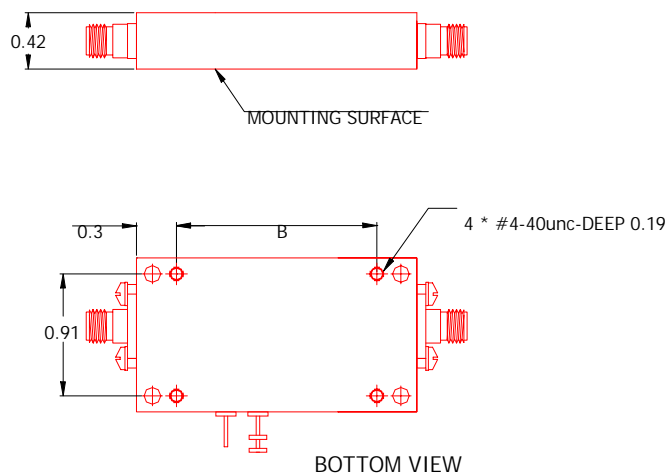
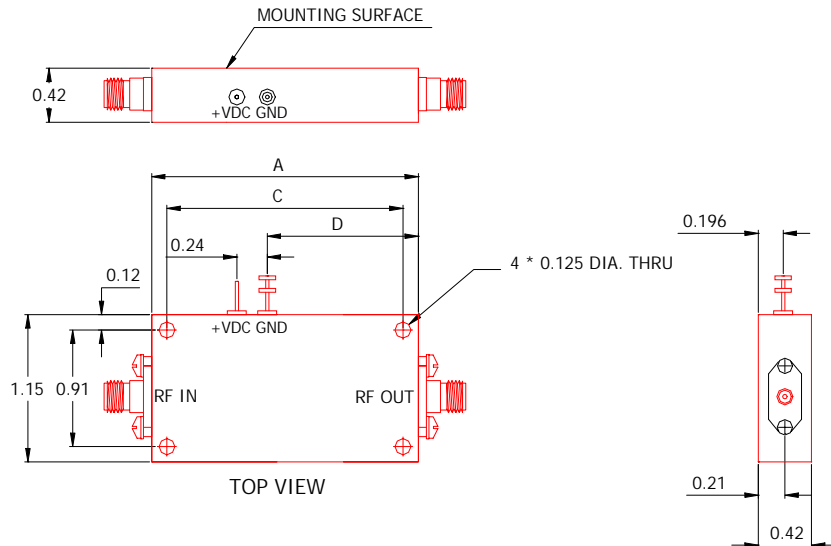


ALL DIMENSIONS ARE IN INCHES.



Case	"A" DIM	"B" DIM	"C" DIM	"D" DIM
7	2.10	1.50	1.86	0.67
6	1.85	1.25	1.61	0.67
5	1.60	1.00	1.36	0.67
4	1.35	0.75	1.11	0.43
3	1.10	0.50	0.86	0.43