

4

3

DWG NO. DOC-900101-1 SH REV 2

1

| REVISIONS | | | |
|-----------|-------------|------|----------|
| REV | DESCRIPTION | DATE | APPROVED |
| | | | |

D

D

C

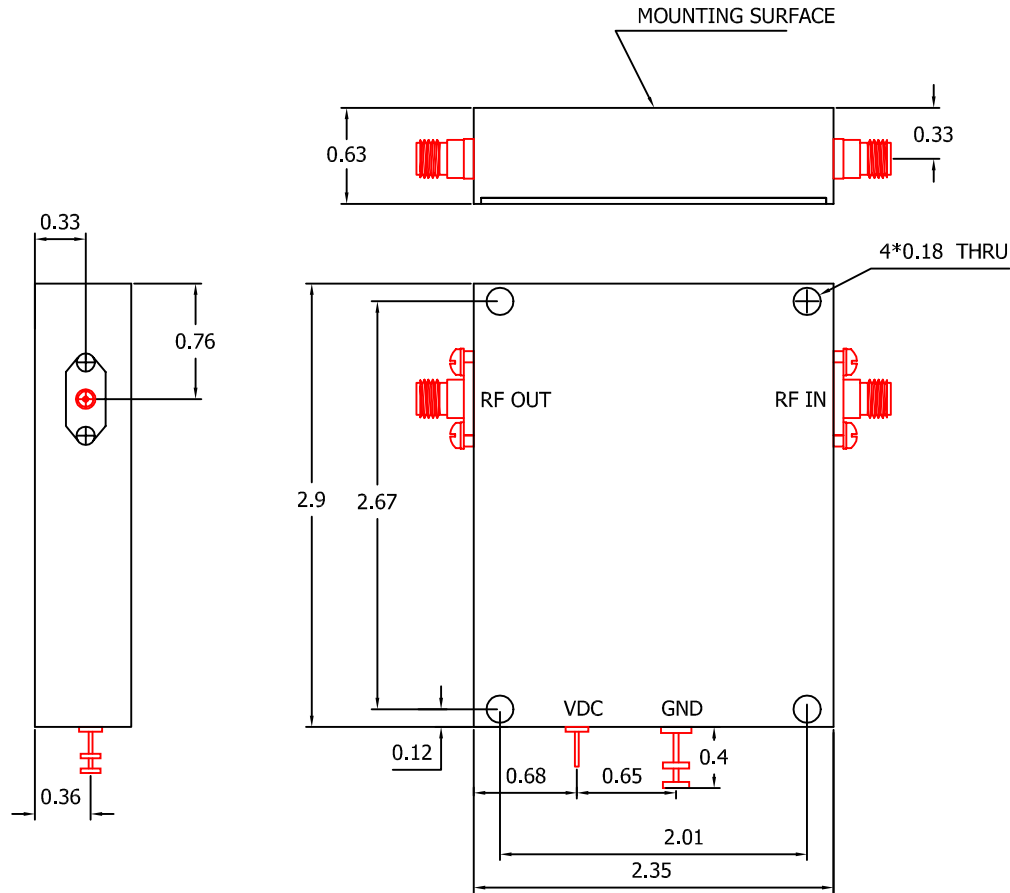
C

B

B

A

A



| | | |
|---|---------------------------|---------------|
| UNLESS OTHERWISE SPECIFIED: DIMENSIONS ARE IN INCHES TOLERANCES DECIMALS ANGULAR .XX ± .01 ± .XXX ± .005 63/ FINISH DO NOT SCALE DRAWING | CONTRACT NO. | |
| | DRAWN 宋君麟 | DATE 05/23/05 |
| | CHECK 張景學 | DATE 05/23/05 |
| | PROJ ENGR | |
| | MFG ENGR | |
| MATERIAL | QA ENGR | |
| | RLSE DATE | |
| | SCALE WEIGHT SHEET 1 OF 1 | |

| | | | |
|--------------------------------|----------|----------------------|-------|
| TRANSCOM, INC. | | | |
| HOUSING OUTLINE HA1 | | | |
| SIZE A3 | FSCM NO. | DWG NO. DOC-900101-1 | REV 2 |

UNLESS OTHERWISE SPECIFIED BY CONTRACT THESE DRAWINGS AND SPECIFICATIONS AND DATA DISCLOSED HEREIN ARE THE PROPERTY OF TRANSCOM, ARE ISSUED IN STRICT CONFIDENCE AND SHALL NOT BE REPRODUCED OR DISCLOSED IN WHOLE OR PART OR USED AS THE BASIS FOR MANUFACTURE OR SALE WITHOUT THE PERMISSION OF TRANSCOM.

4

3

2

1