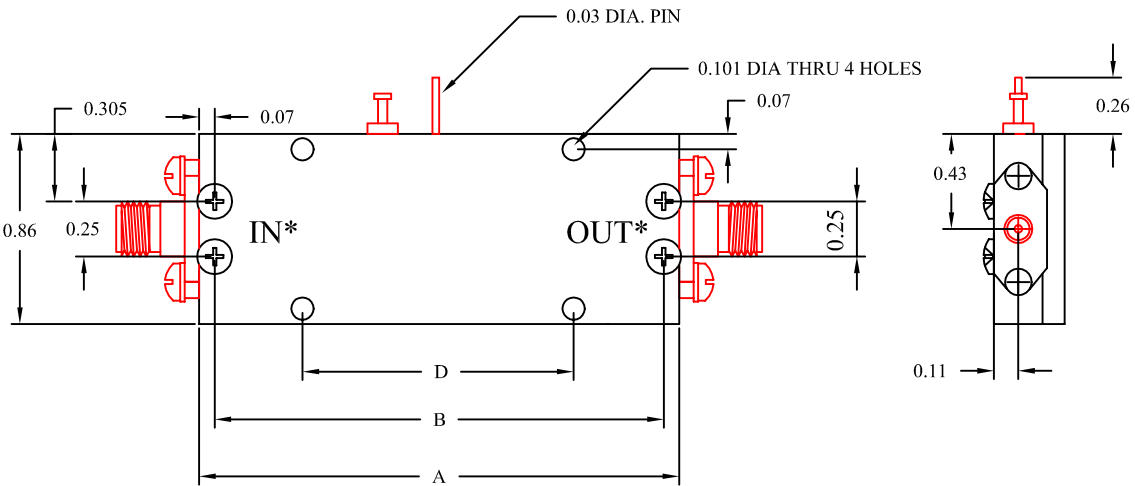
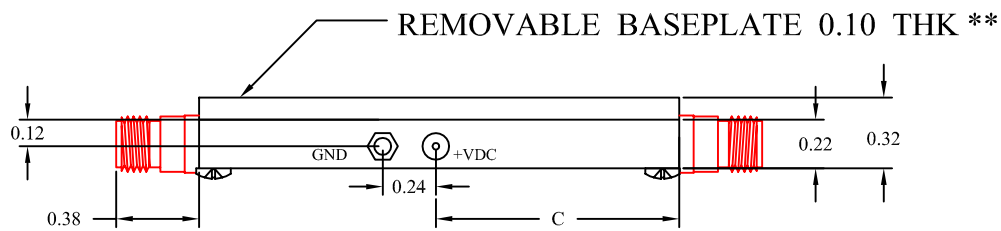


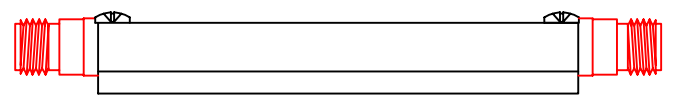
REVISIONS			
REV	DESCRIPTION	DATE	APPROVED



CASE	A DIM	B DIM	C DIM	D DIM
5	1.58	1.44	0.67	0.700
6	1.83	1.79	0.79	0.750
7	2.08	1.94	0.92	0.800
74	2.17	2.03	1.08	0.826
8	2.33	2.19	1.17	0.850

**NOTE:**

- \* RF IN / OUT LOCATIONS ARE SUBJECT TO CHANGE PER CUSTOMER'S REQUIREMENT
- \*\* REMOVABLE BASEPLATE : OPTIONAL



UNLESS OTHERWISE SPECIFIED BY CONTRACT THESE DRAWINGS AND SPECIFICATIONS AND DATA DISCLOSED HEREIN ARE THE PROPERTY OF TRANSCOM, ARE ISSUED IN STRICT CONFIDENCE AND SHALL NOT BE REPRODUCED OR DISCLOSED IN WHOLE OR PART OR USED AS THE BASIS FOR MANUFACTURE OR SALE WITHOUT THE PERMISSION OF TRANSCOM.

UNLESS OTHERWISE SPECIFIED: DIMENSIONS ARE IN INCHES TOLERANCES		CONTRACT NO.		<b>TRANSCOM, INC.</b>	
DECIMALS .XX ± .01	ANGULAR ±	DRAWN 宋君麟	DATE 03/24/2006		
.XXX ± .005	63/	CHECK 張景學	03/24/2006	TITLE HOUSING HW	
FINISH DO NOT SCALE DRAWING	MATERIAL ALUMINUM	PROJ ENGR		SIZE B	FSCM NO.
		MFG ENGR		DWG NO	DOC-902300-1
		QA ENGR		REV	1
		RLSE DATE		SCALE	WEIGHT
				SHEET 1	OF 1