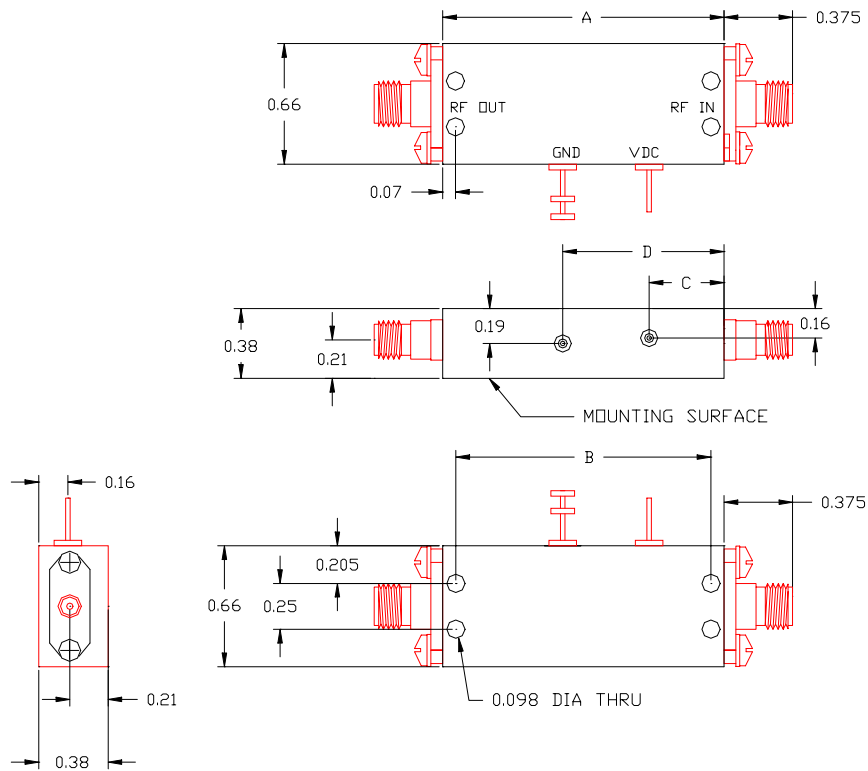


ALL DIMENSIONS ARE IN INCHES.



CASE	A DIM	B DIM	C DIM	D DIM
<b>3</b>	1.116	0.976	0.43	0.68
<b>4</b>	1.359	1.220	0.68	1.13
<b>5</b>	1.602	1.462	0.68	1.13
<b>6</b>	1.845	1.705	0.92	1.37
<b>7</b>	2.088	1.948	0.92	1.37
<b>8</b>	2.331	2.190	1.17	1.51
<b>9</b>	2.574	2.434	1.41	1.86